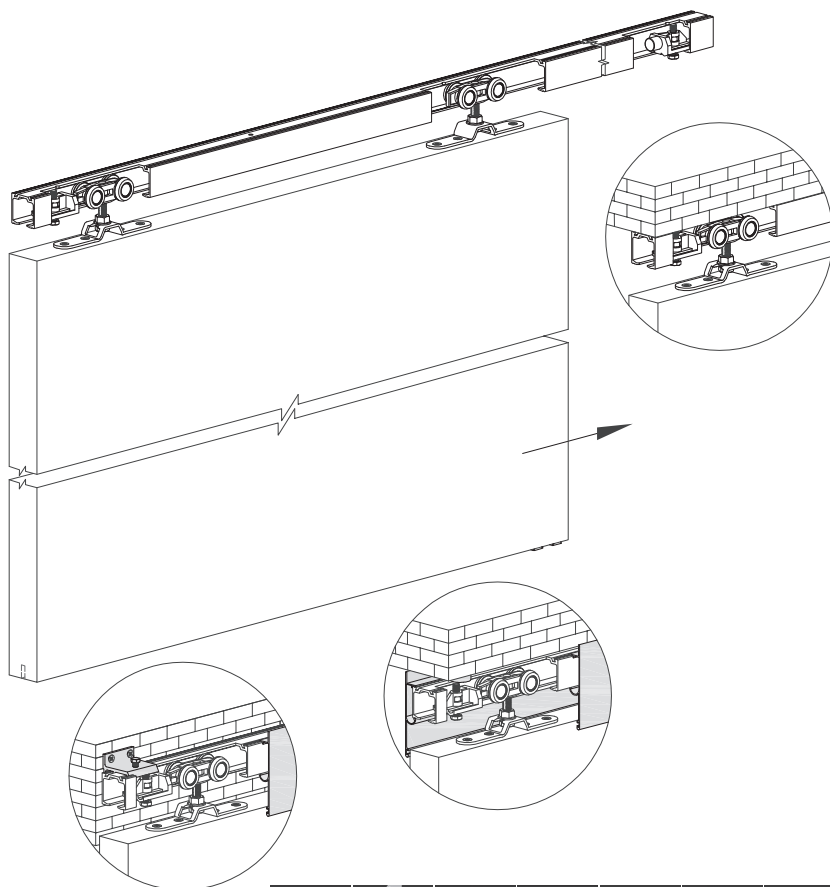
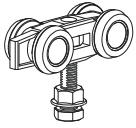
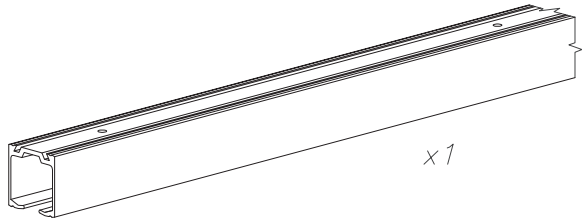


WS 120





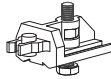
x2



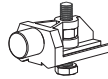
x2



Ø4x50
x8



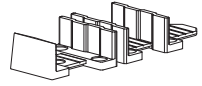
x1



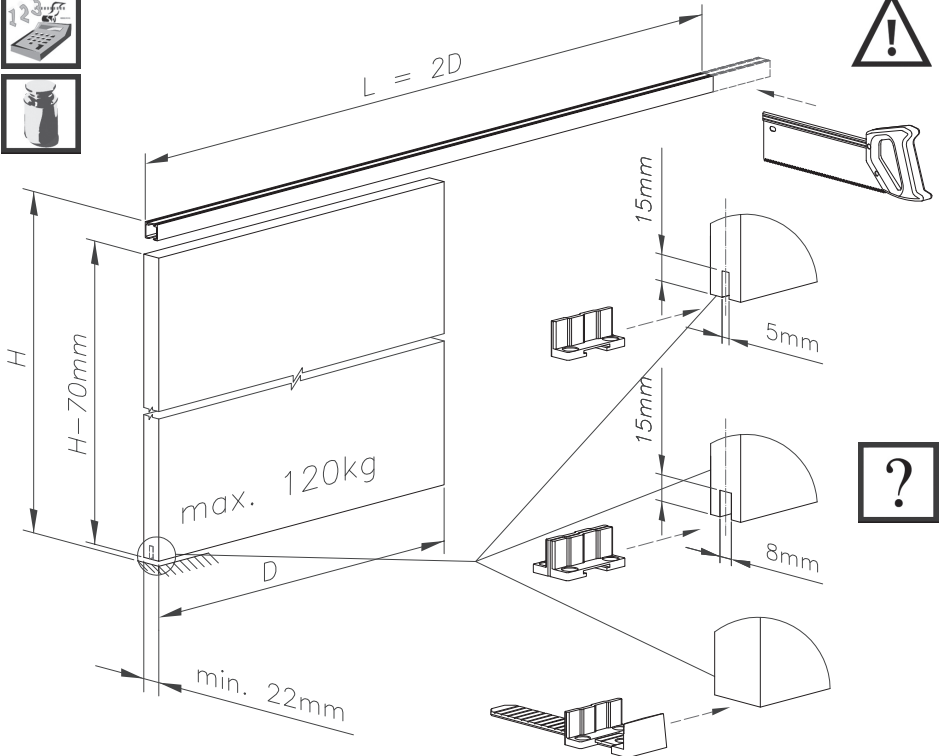
x1



Ø4x16
x7

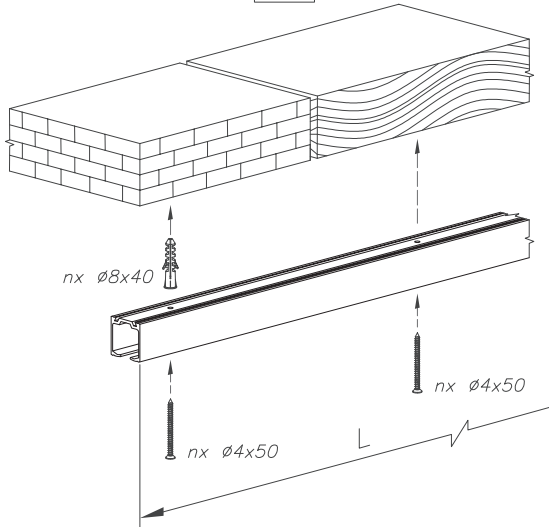


x1



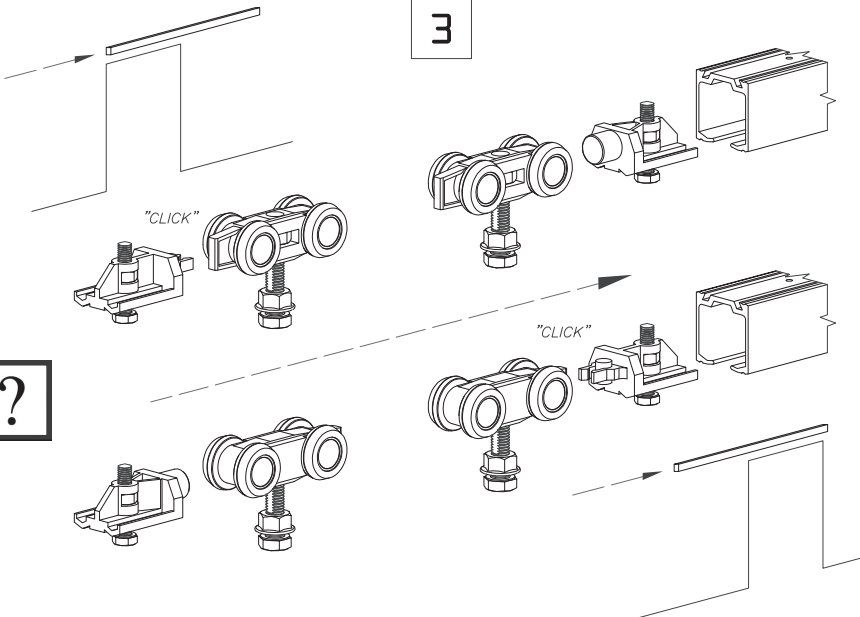


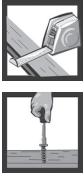
2



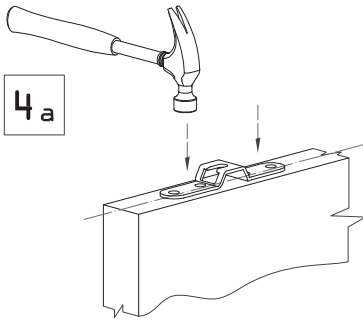
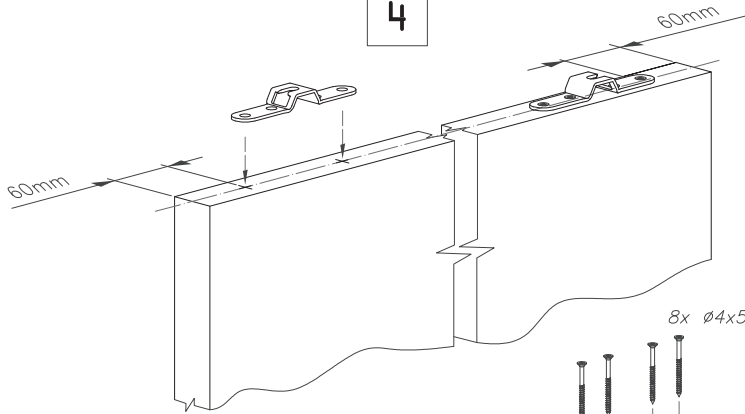
L[mm]	1200	1500	1800	2000	2400	3000
n	5	6	7	7	9	11

3

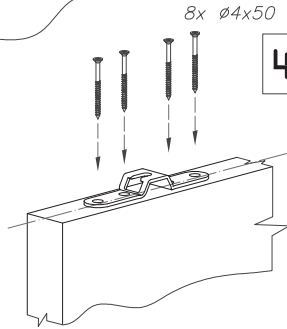




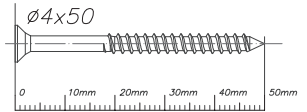
4



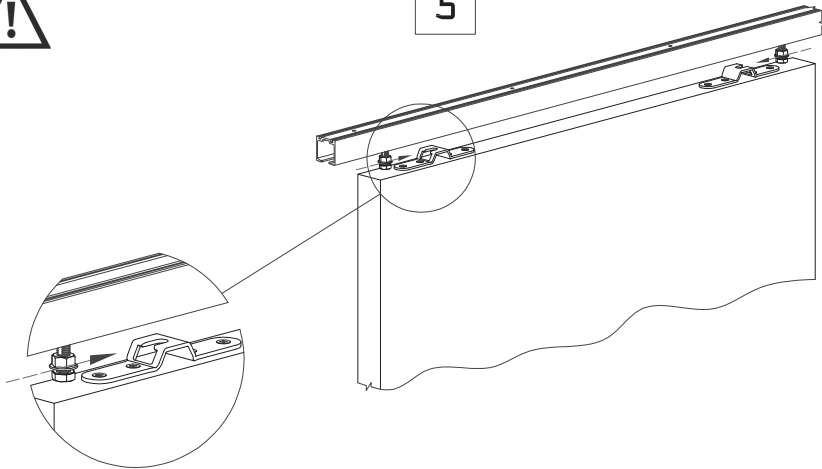
4 a



4 b

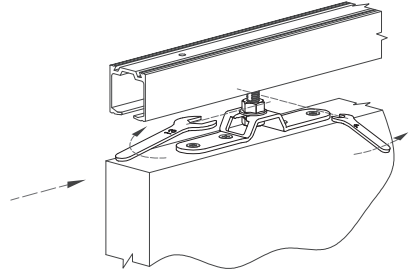
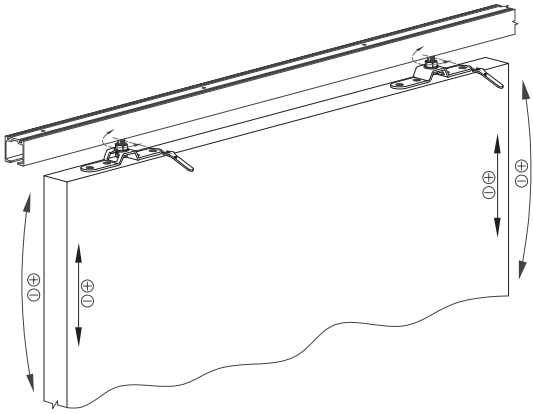


5

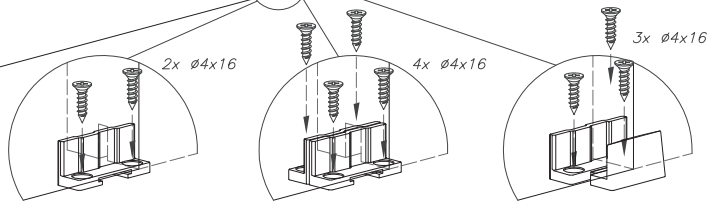
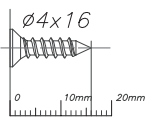
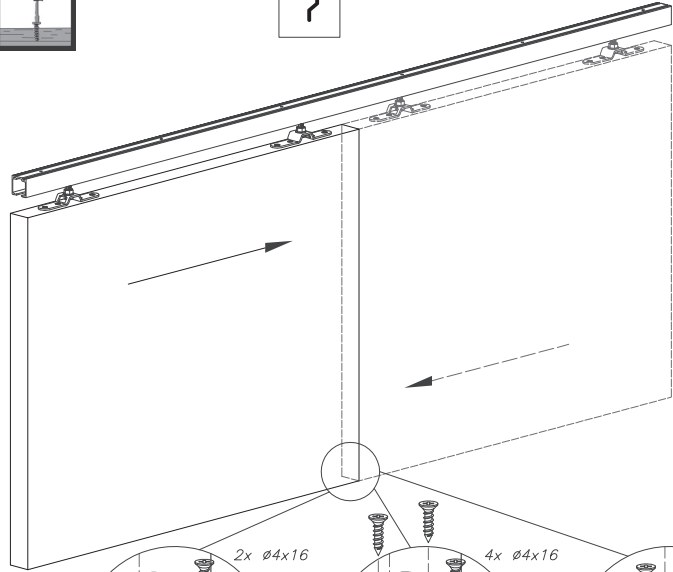


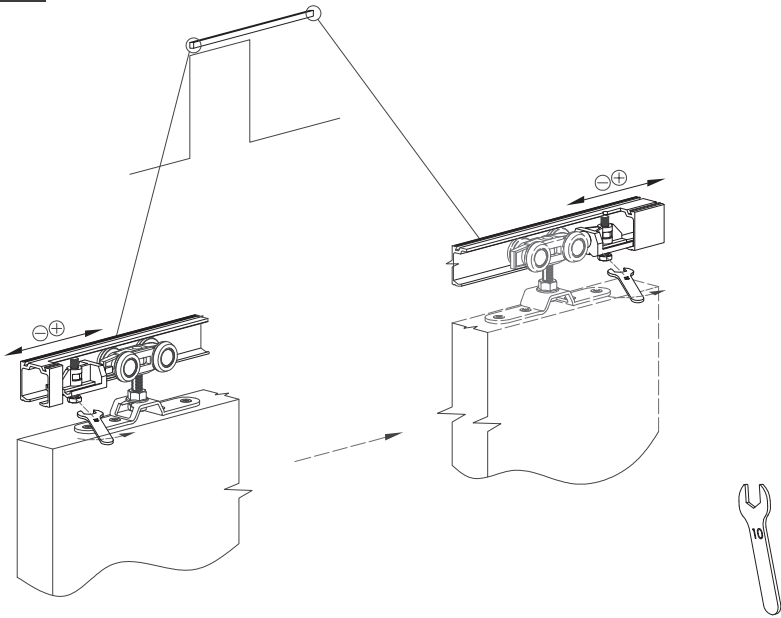


6

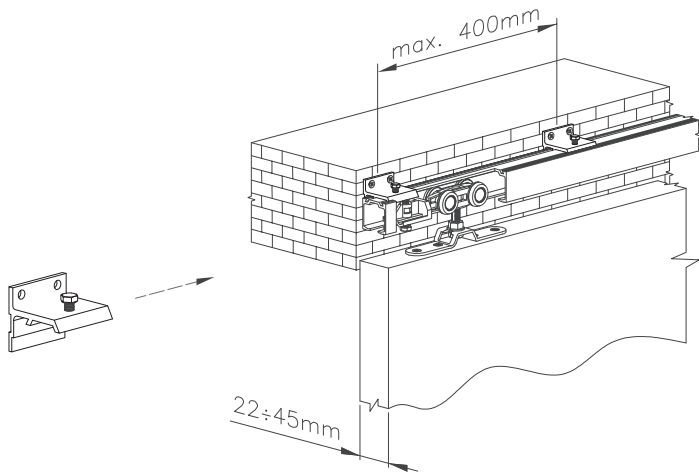


7

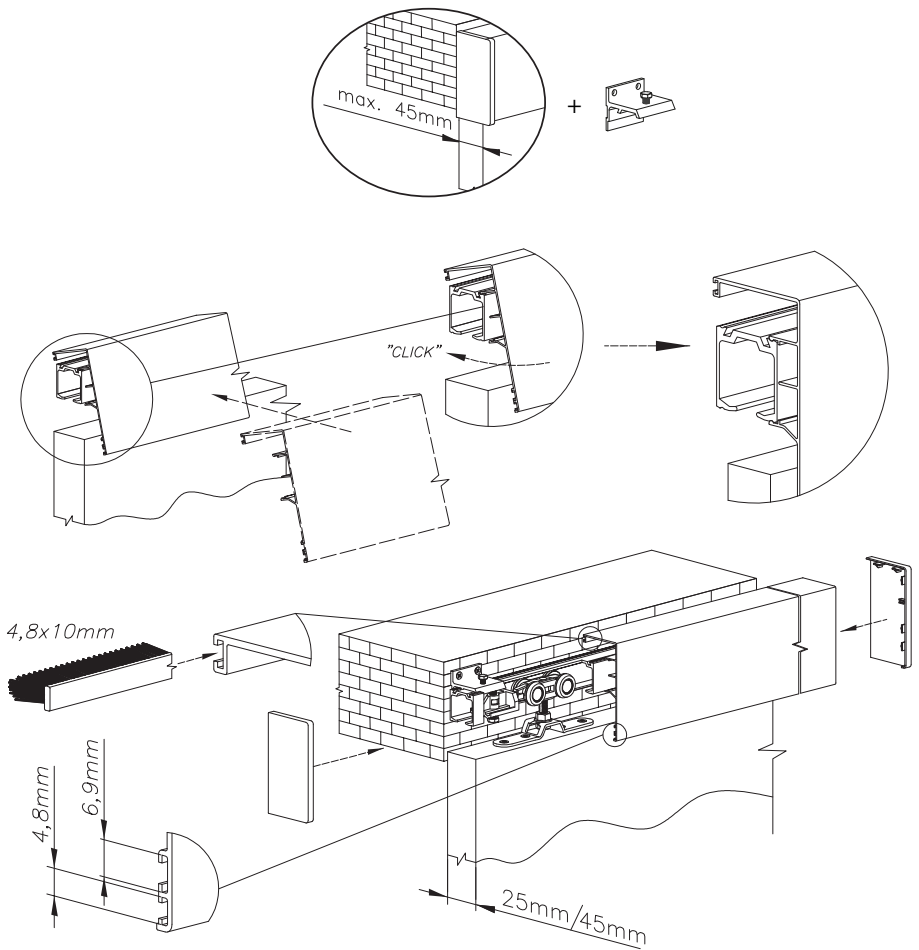




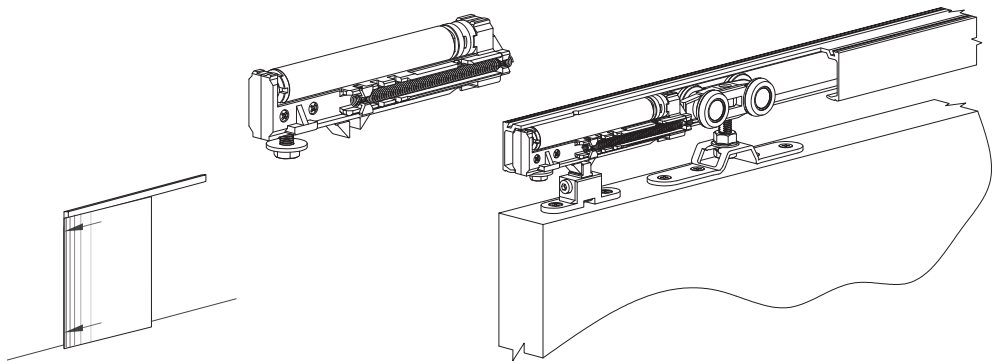
1



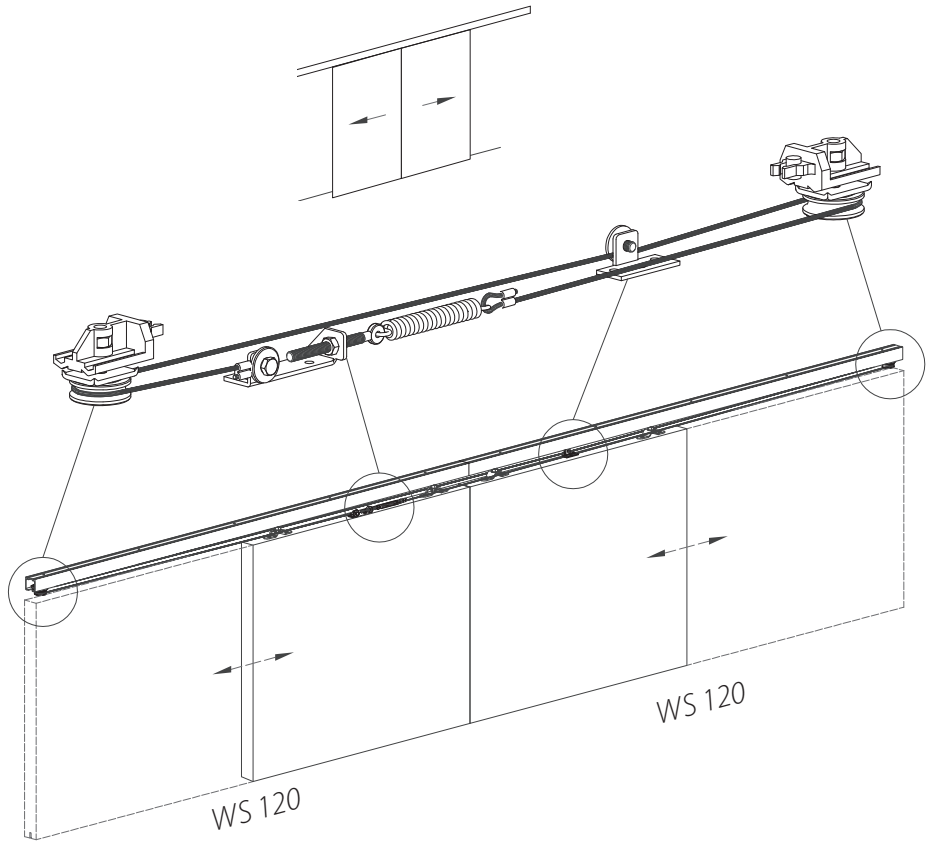
2



3 *SILENT-STOP*



4 SYMETRIC



5

